

Description

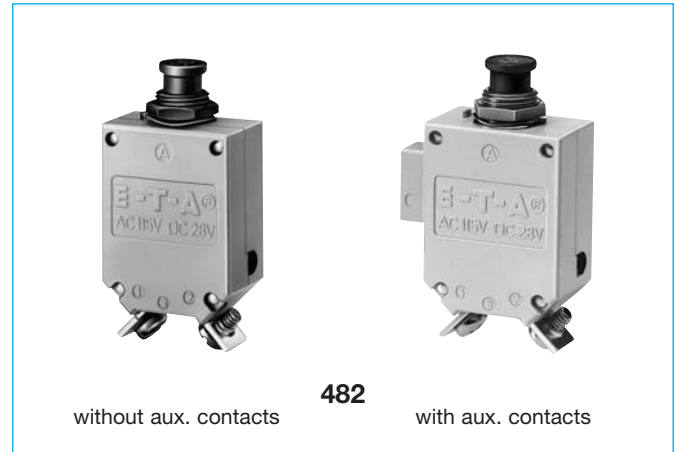
Single pole compact high performance thermal circuit breaker with tease-free, trip-free, snap action mechanism and push/pull on/off manual actuation (M-type TO CBE to EN 60934). An indicator band on the push button clearly shows the tripped/off position. Threadneck panel mounted in tracked vehicle and aircraft/general purpose versions, with optional auxiliary contacts.

Typical applications

Extra low voltage wiring systems on all types of vehicles for land, sea and air, battery powered machines, process control.

Ordering information

Type No.	482
single pole thermal circuit breaker	
Mounting	
G threadneck panel mounting	
Threadneck design	
1 M 12x1 nickel plated	
2 M 12x1 black	
3 15/32-UN-2A black	
6 M12x1x8 black, without locating pin, push button marking as with 482-G2..	
7 M12x1x6,4 black, without locating pin, push button marking as with 482-G1..	
Hardware - washer for threadneck	
0 without hardware	
1 corrugated washer 12/15, fitted	
2 serrated lock washer 12/15, fitted (MS 35333-136)	
3 serrated lock washer 12/15, bulk shipped (MS 35333-136)	
Hardware - hex nut for threadneck	
0 without hardware	
1 hex nut M12x1 nickel plated	
2 hex nut M12x1 black	
3 hex nut 15/32-UN-2B black, fitted	
4 hex nut 15/32-UN-2B black, bulk shipped	
Terminal design (main terminals)	
K1 screw terminals with metric thread M4	
J1 screw terminals with inch thread 8-32-UNC-2B	
R1 round connector ø6	
Characteristic curve	
M1 thermal 1.15-1.4 I _N	
Terminal screws	
A flat head screw M4x6, ISO 1580, fitted	
B Phillips screw 8-32UNC-2Ax6 (MS 51957-41), fitted	
F Phillips screw M4x6 (ISO 7045), bulk shipped	
H socket head cap screw M4x6 (DIN 7984), fitted	
K hex screw 8-32UNC-3Ax7.6 fitted	
Terminal washers	
0 without lock washer	
1 lock washer DIN 137-B4, fitted	
2 lock washer 4.3, fitted, MS 35338-137	
3 lock washer 4.3, bulk shipped (MS 35338-137)	
5 lock washer 4.3/9, fitted	
6 lock washer DIN 137-B4, bulk shipped	
Auxiliary contact	
S0 without auxiliary contacts	
S1 with auxiliary contact (NC)	
S5 with polarized aux. contact (NC)	
Barrier	
(blank) without barrier	
T with barrier, 31 mm wide	
Current ratings	
0.1...50 A	
482 - G 1 1 1 - K1 M1 - A 1 S1 . - 10 A ordering example	



without aux. contacts

482

with aux. contacts

Technical data

Voltage rating	AC 115 V (400 Hz); DC 28 V AC 230 (50/60 Hz) to special order	
Current rating range	0.1...50 A	
Auxiliary circuit	0.5 A, DC 28 V	
Typical life	10,000 operations mechanical 5,000 operations at I _N	
Ambient temperature	-55...+75 °C (-67...+167 °F)	
Insulation co-ordination (IEC 60664 and 60664A)	rated impulse withstand voltage 1.5 kV	pollution degree 3
Dielectric strength (IEC 60664 and 60664A)	test voltage operating area main to aux. circuit	AC 1,500 V AC 1,500 V
Insulation resistance	> 100 MΩ (DC 500 V)	
Interrupting capacity I_{cn}	0.1...2.5 A 3...3.5 A 4...7 A 7.5...50 A 35...50 A	15 x I _N 250 A DC / 150 A AC 500 A 6,000 A DC / 1,000 A AC with auxiliary contact: 3,000 A DC / 1,000 A AC
Interrupting capacity (UL 1077)	I _N 0.1...50 A	U _N DC 72 V 5,000 A
Degree of protection (IEC 60529/DIN 40050)	operating area IP40 terminal area IP00	
Vibration	10 g (55-2000 Hz), ± 0.76 mm (10-55 Hz) to VG 95210, sheet 19/IEC 60068-2-6, test Fc	
Shock	50 g (11 ms) to VG 95210, sheet 28/IEC 60068-2-27, test Ea	
Corrosion	48 hours at 5 % salt mist to VG 95210, sheet 2/IEC 60068-2-11, test Ka	
Humidity	240 hours at 95 % RH to VG 95210, sheet 7/IEC 60068-2-3, test C	
Explosion	to VG 95210, sheet 10/MIL-STD-202, meth. 109	
Mass	approx. 43 g without auxiliary contact approx. 46 g with auxiliary contact	

Approvals

Authority	Voltage ratings	Current ratings
VG 95345 T21	DC 28 V	0.1...50 A
QPL, Canada	DC 28 V	0.5...35 A
UL, CSA	DC 72 V	0.1...50 A

Previous ordering codes:

482-N-MS = 482-G111-K1M1-A1S0-...A

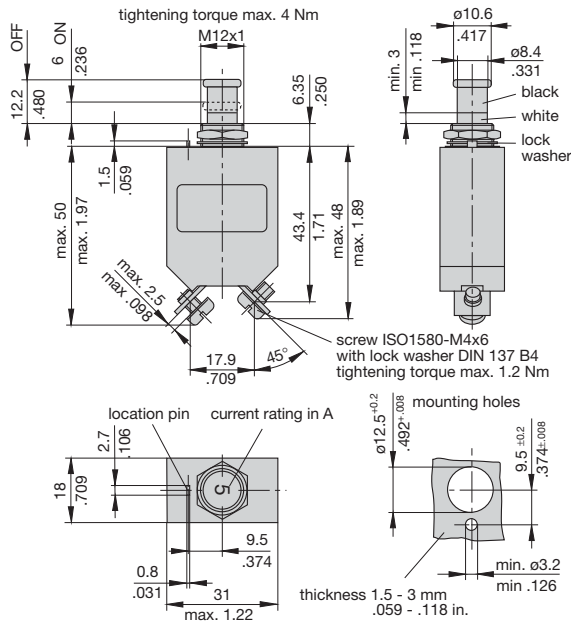
482-MS = 482-G212-K1M1-A1S0-...A

Standard current ratings and typical volt drop values

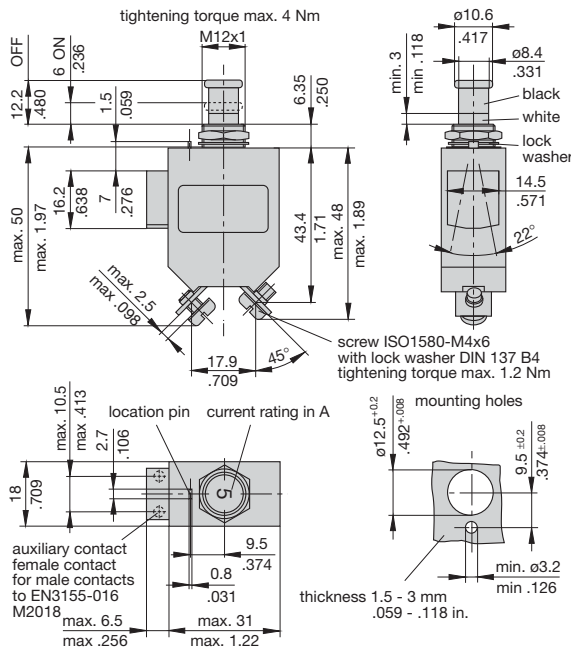
Current rating (A)	Volt drop (mV)	Current rating (A)	Volt drop (mV)
0.1	16,000	5	350
0.2	8,000	7.5	230
0.5	3,000	10	< 200
0.8	2,000	15	< 200
1	1,500	20	< 200
1.2	1,200	25	< 200
1.5	1,000	30	< 200
1.8	850	35	< 200
2	800	40	< 200
2.5	700	45	< 200
3	600	50	< 200
4	430		

Dimensions 482-G1...

482-G111-K1M1-A1S0 (VG 95345 T21)

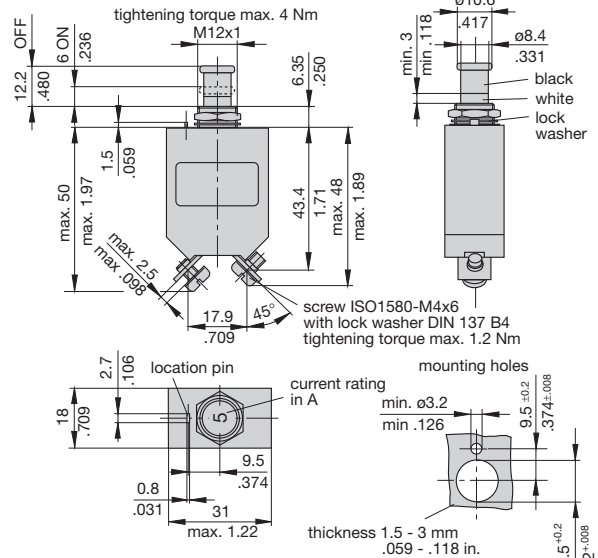


482-G111-K1M1-A1S1 (VG 95345 T21) 482-G111-K1M1-A1S5

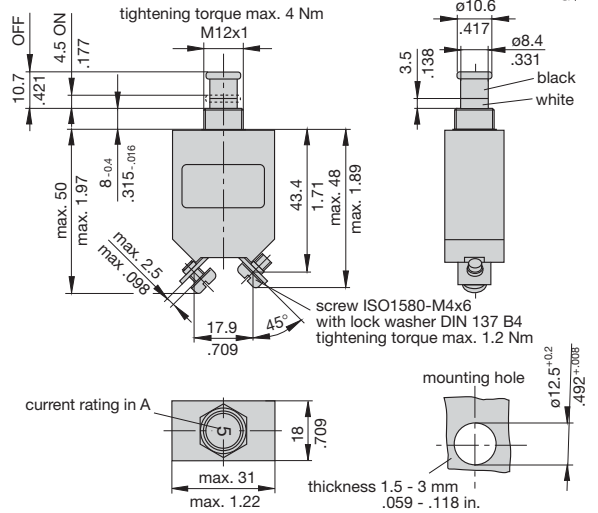


Dimensions 482-G2../-G6../-G7...

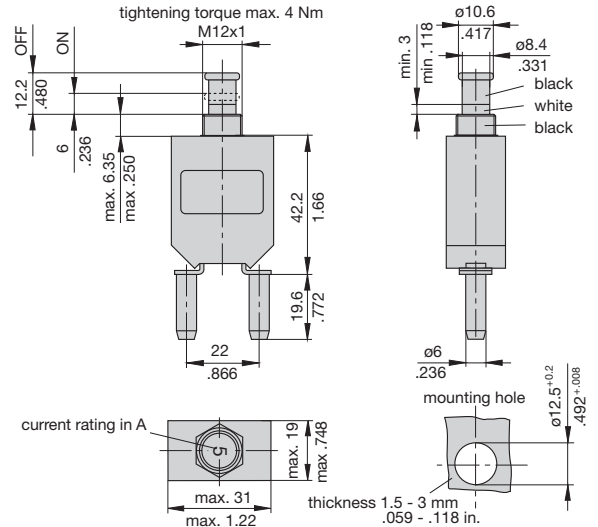
482-G212-K1M1-A1S0 (VG 95345 T21)



482-G600-K1M1-A1S0



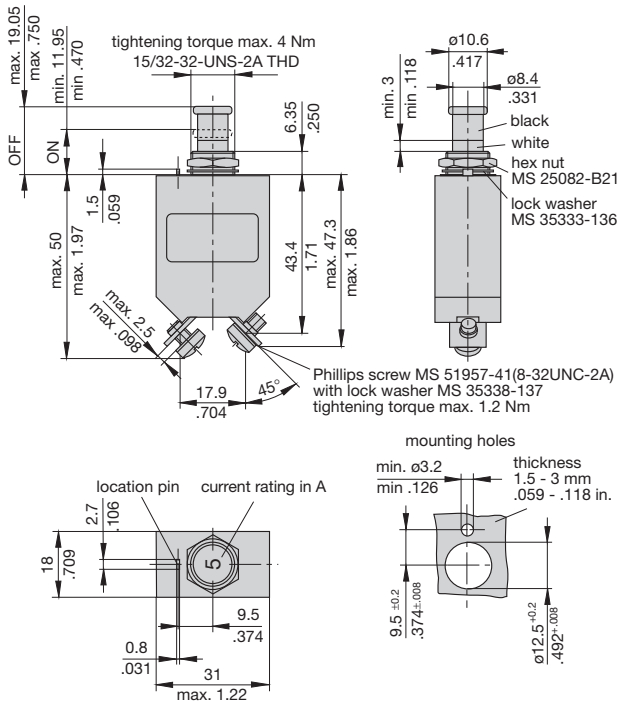
482-G700-R1M1-Z0S0



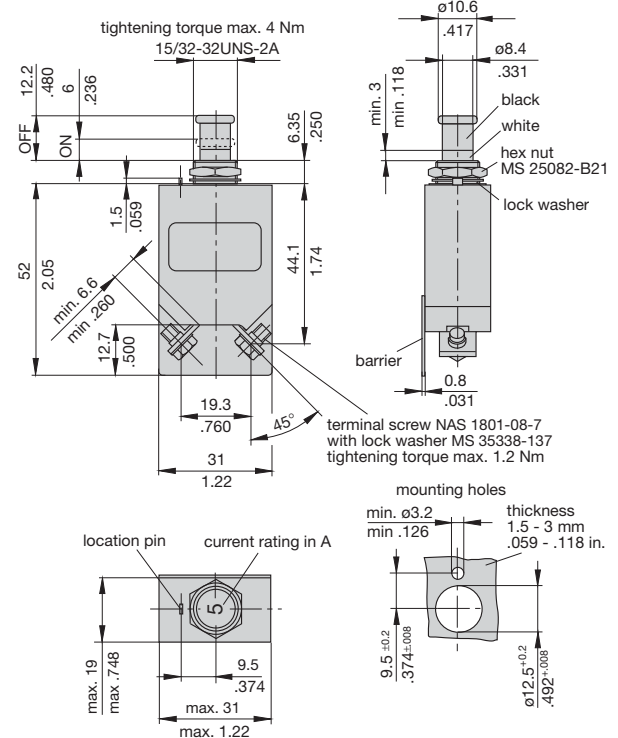
This is a metric design and millimeter dimensions take precedence ($\frac{\text{mm}}{\text{inch}}$)

Dimensions 482-G3...

482-G323-J1M1-B2 (MS 25 244)

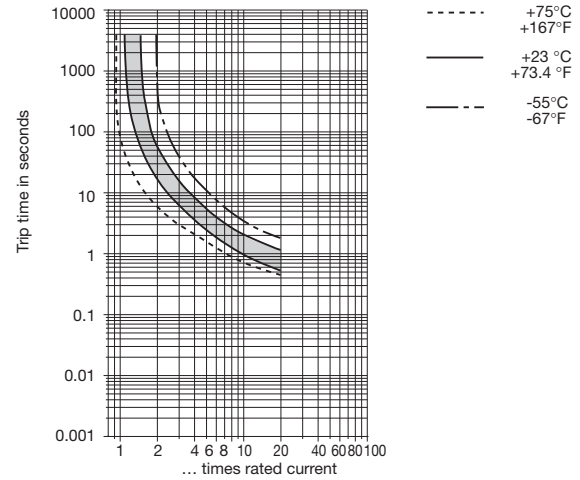


482-G323-J2...-E3S0T

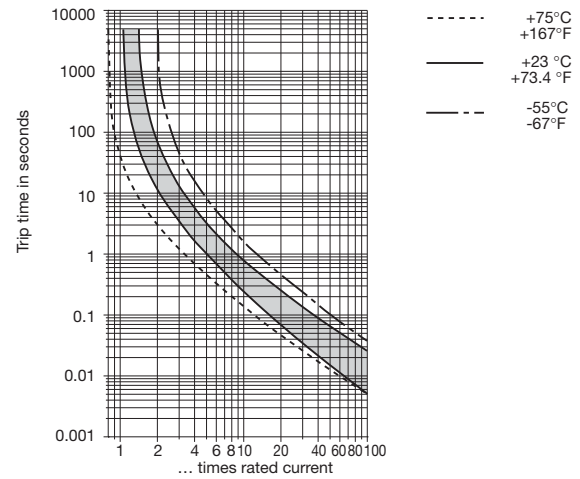


Typical time/current characteristics

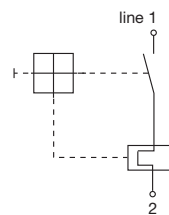
0.1...2.5 A



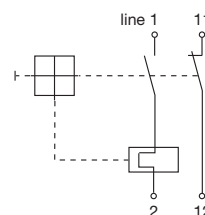
3...50 A



Internal connection diagrams



with auxiliary contact



with polarized auxiliary contact

